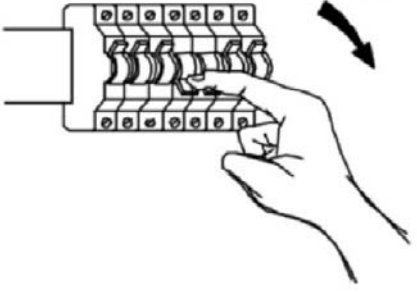
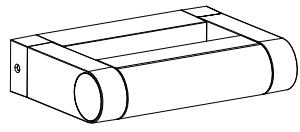


A

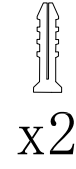
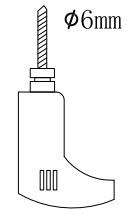
OFF



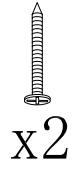
98707



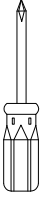
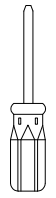
x1



x2

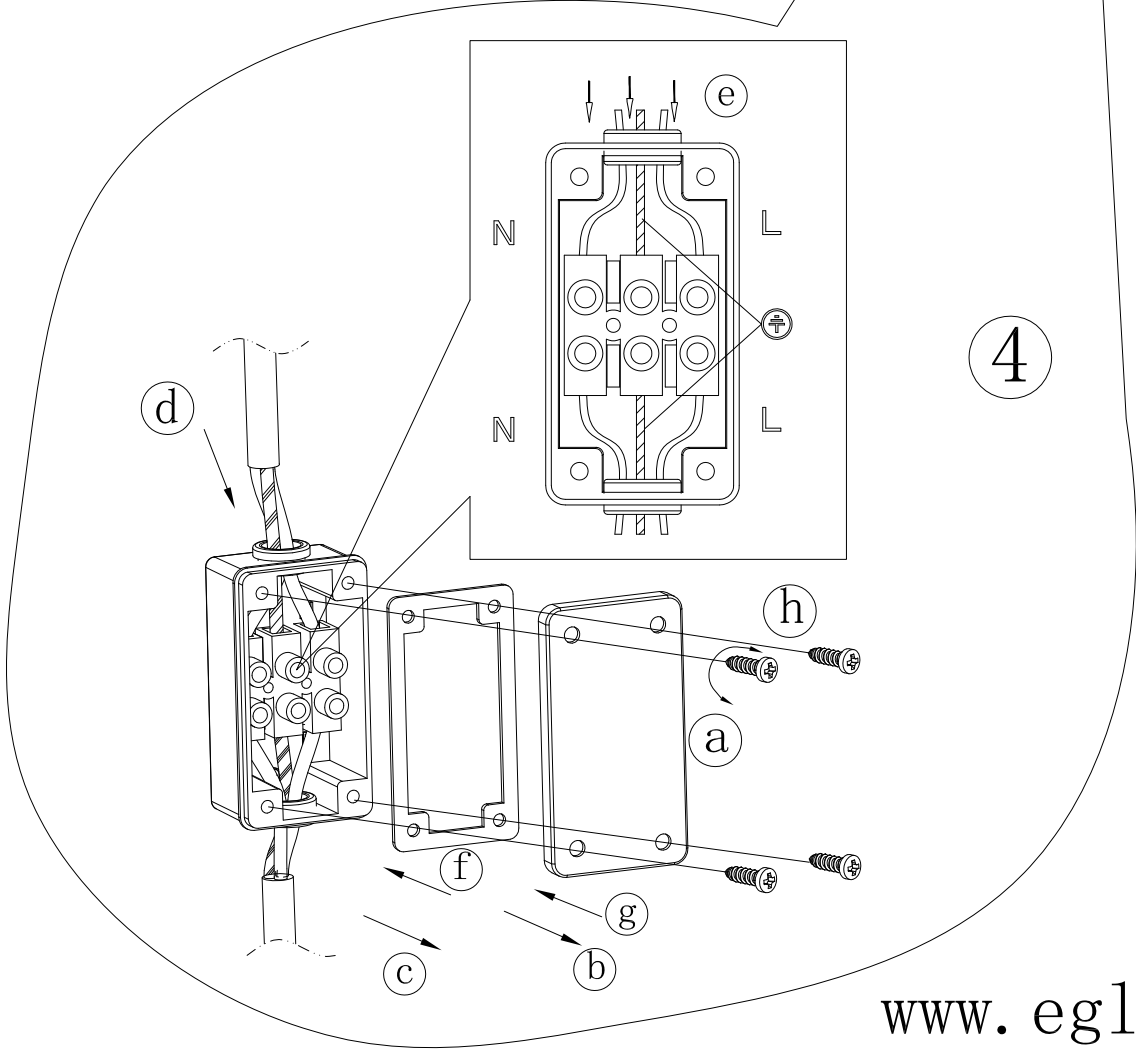
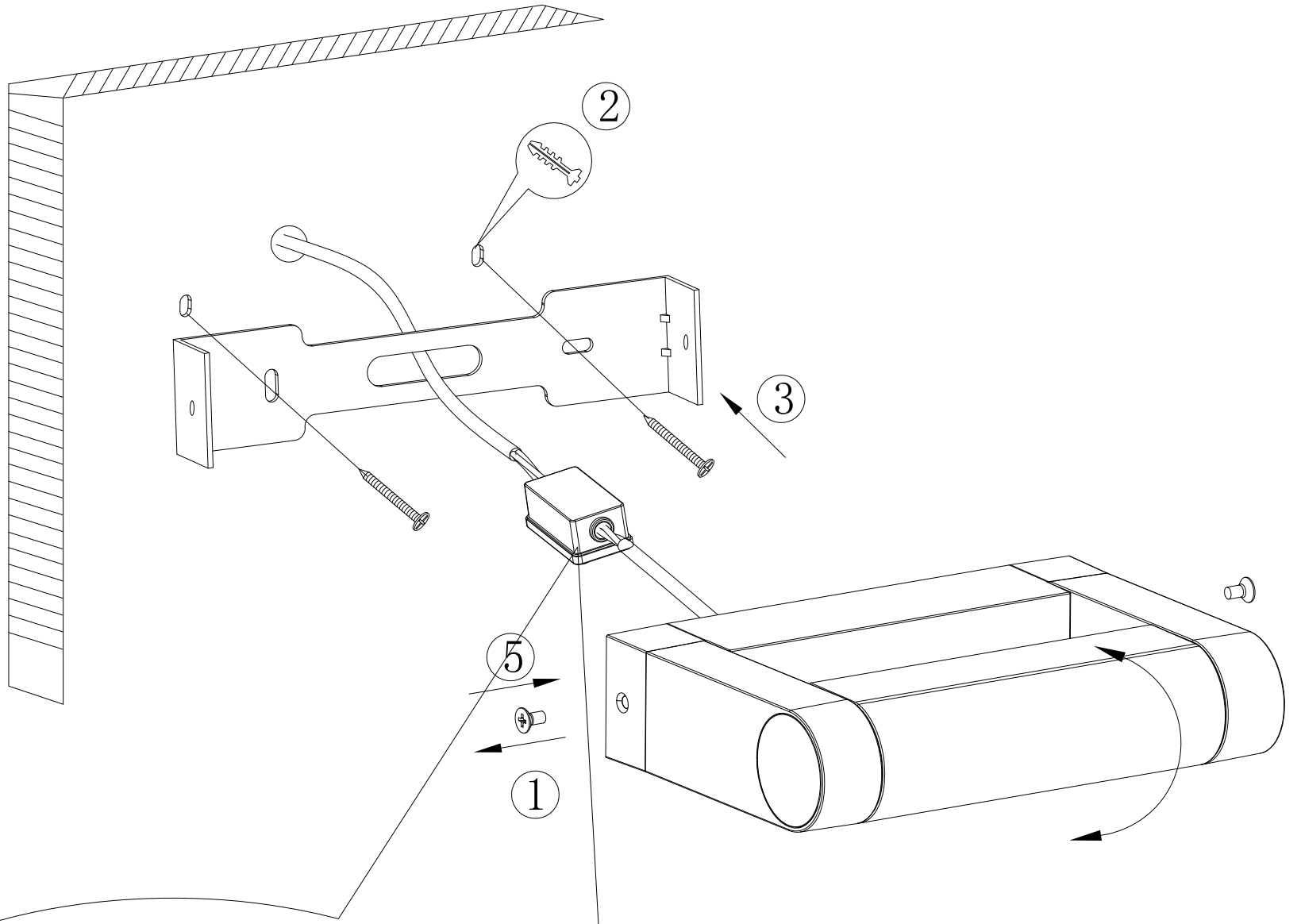


x2



Not included

B



C

ON

