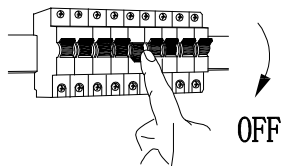
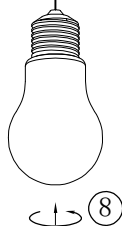
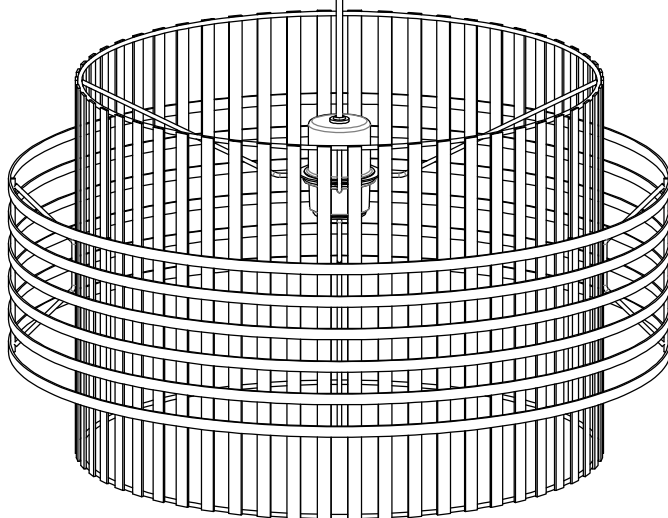
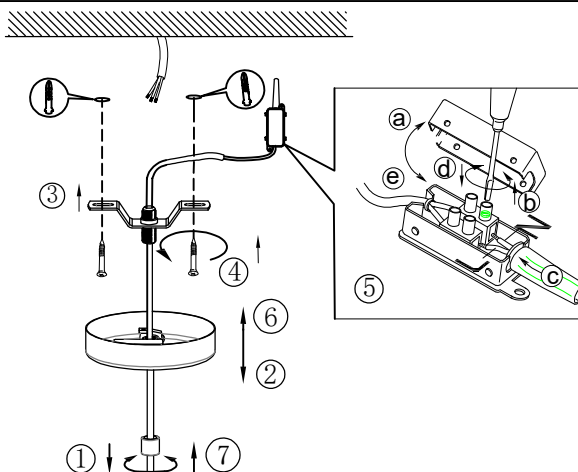
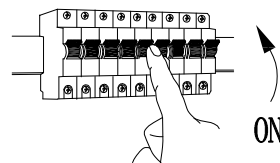


**A****B****C**

B390145  
www.eglo.com